



## Plus5E-S & Plus5L-S Series

Line Interactive UPS

600VA - 2000VA (LV: 110/115/120Vac)

--- With USB Charging Port

## Plus5E-S & Plus5L-S Series



**Plus5E-S Series**  
- LED Model -



**Plus5L-S Series**  
- LCD Model -

# Product Introduction

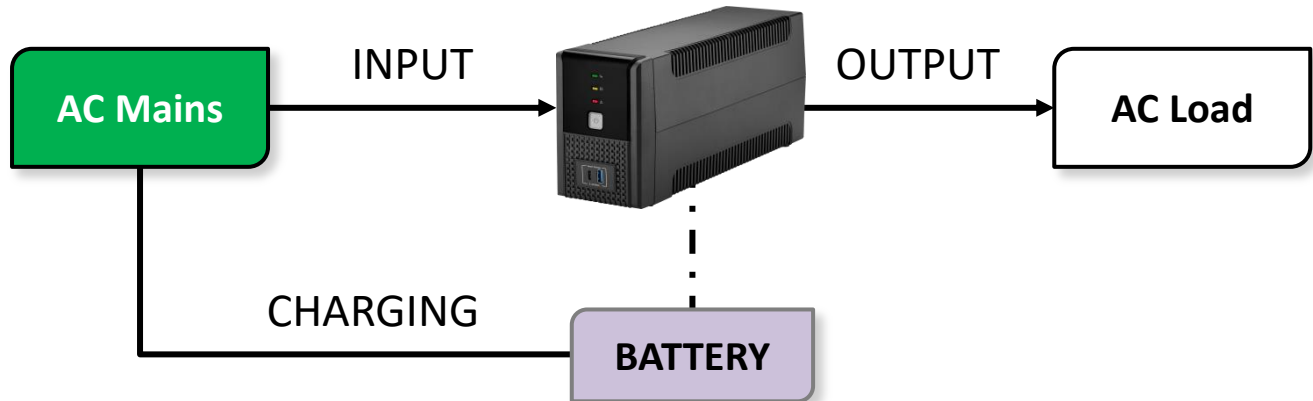
**Plus5E-S & Plus5L-S Series** is line interactive UPS provides guaranteed battery backup power during outage and unsafe fluctuation, along with full protection from damaging surges and spikes. It also equipped with smart charging station, SC-5VDC, USB charging port for smart devices power charging.

The UPS integrated with microprocessor controller, voltage stabilizer, LED or LCD indicators and battery easy replacement in a stand-alone unit, to provide the perfect protection to safeguard your critical devices and valued data.

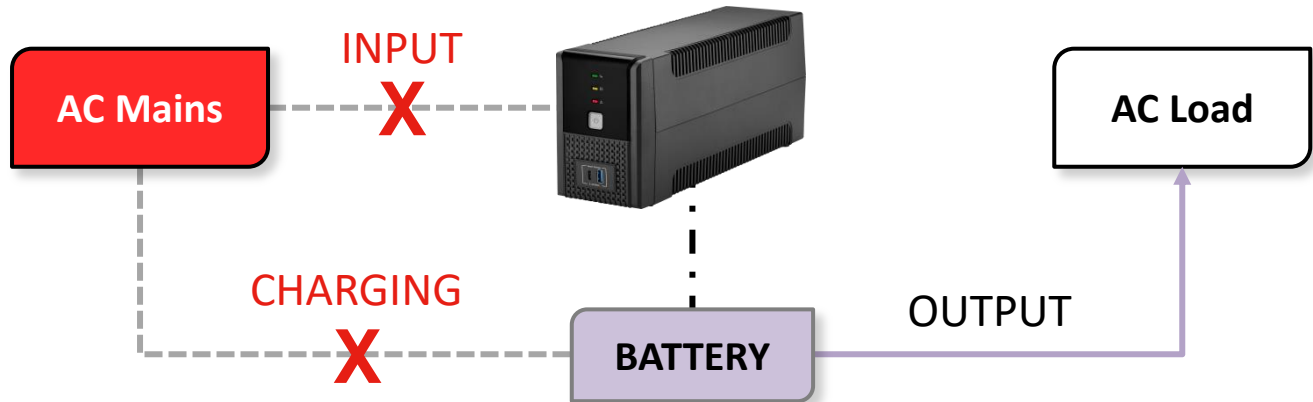


# Basic Functional Module and Power Topology

AC Normal

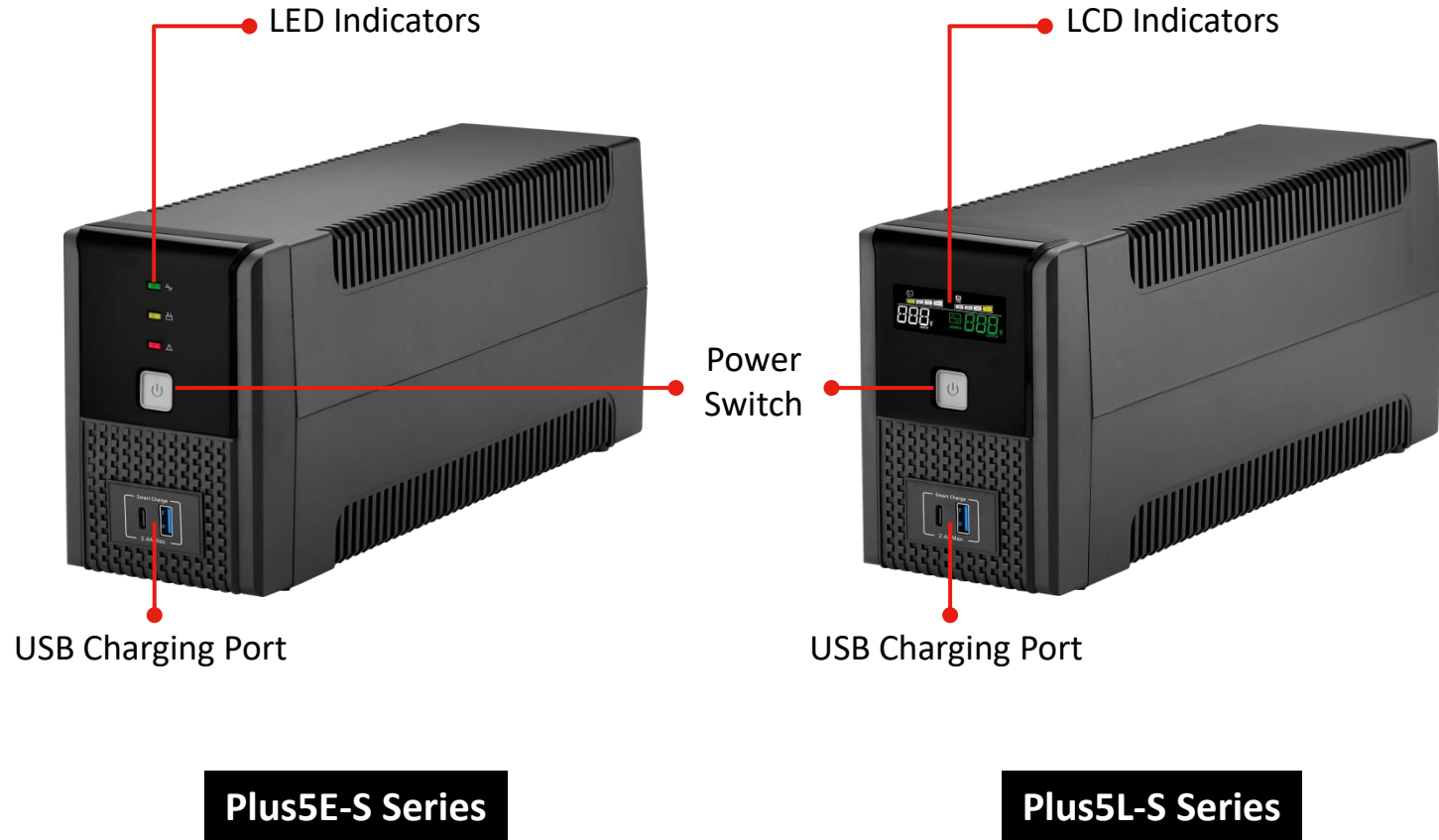


Battery Mode



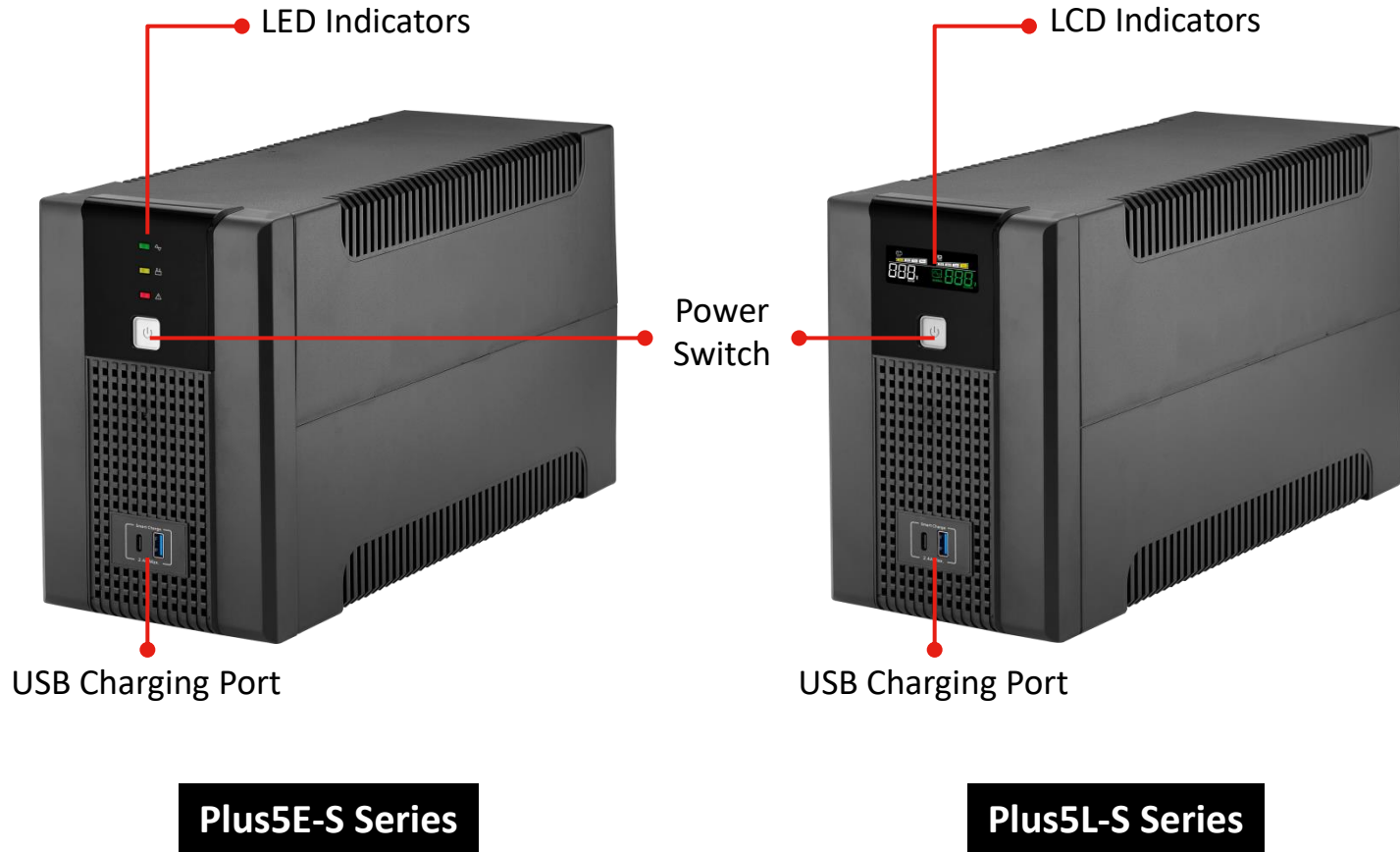
# Structural Diagram

Front Panel (600-800VA)



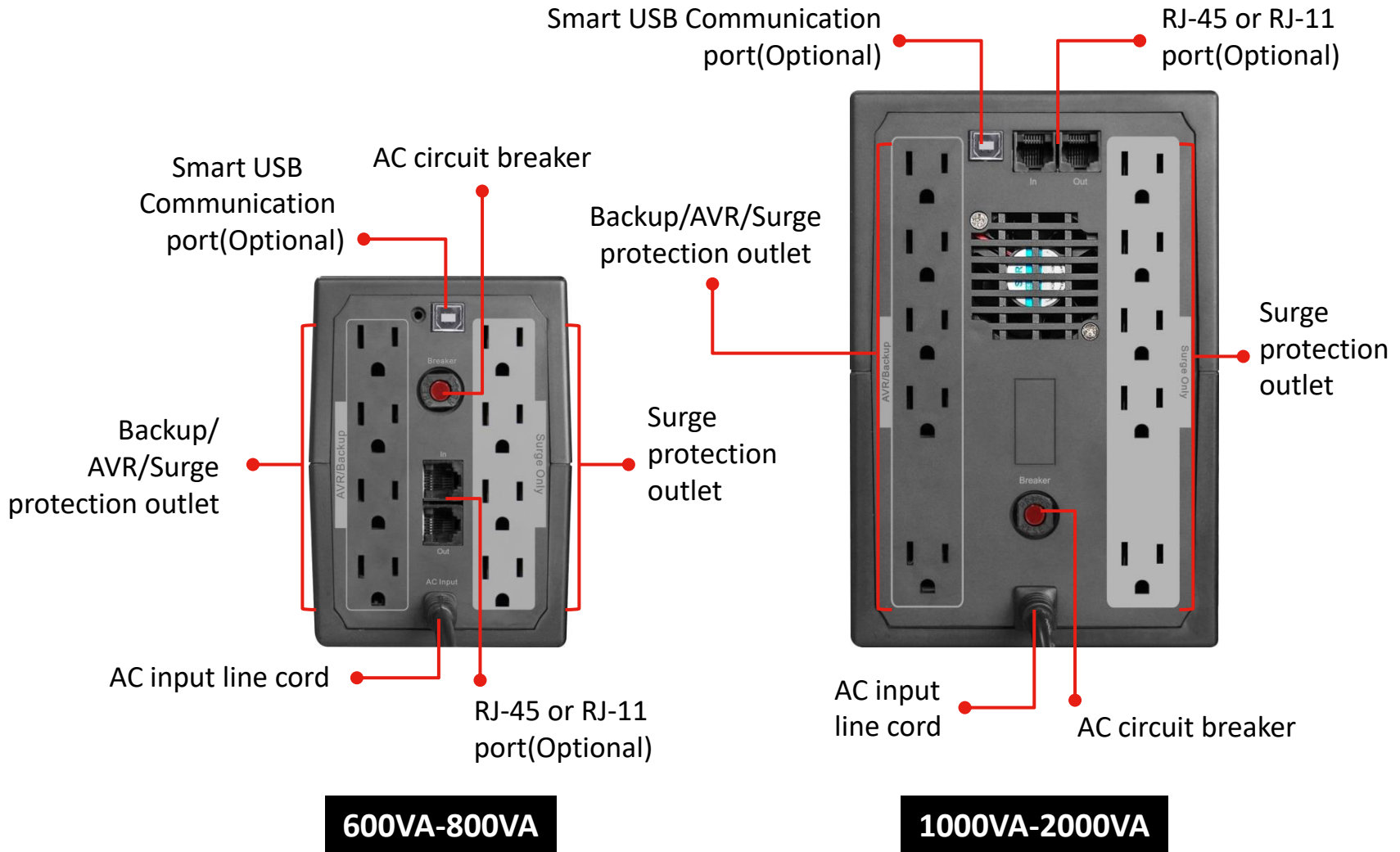
# Structural Diagram

## Front Panel (1000-2000VA)

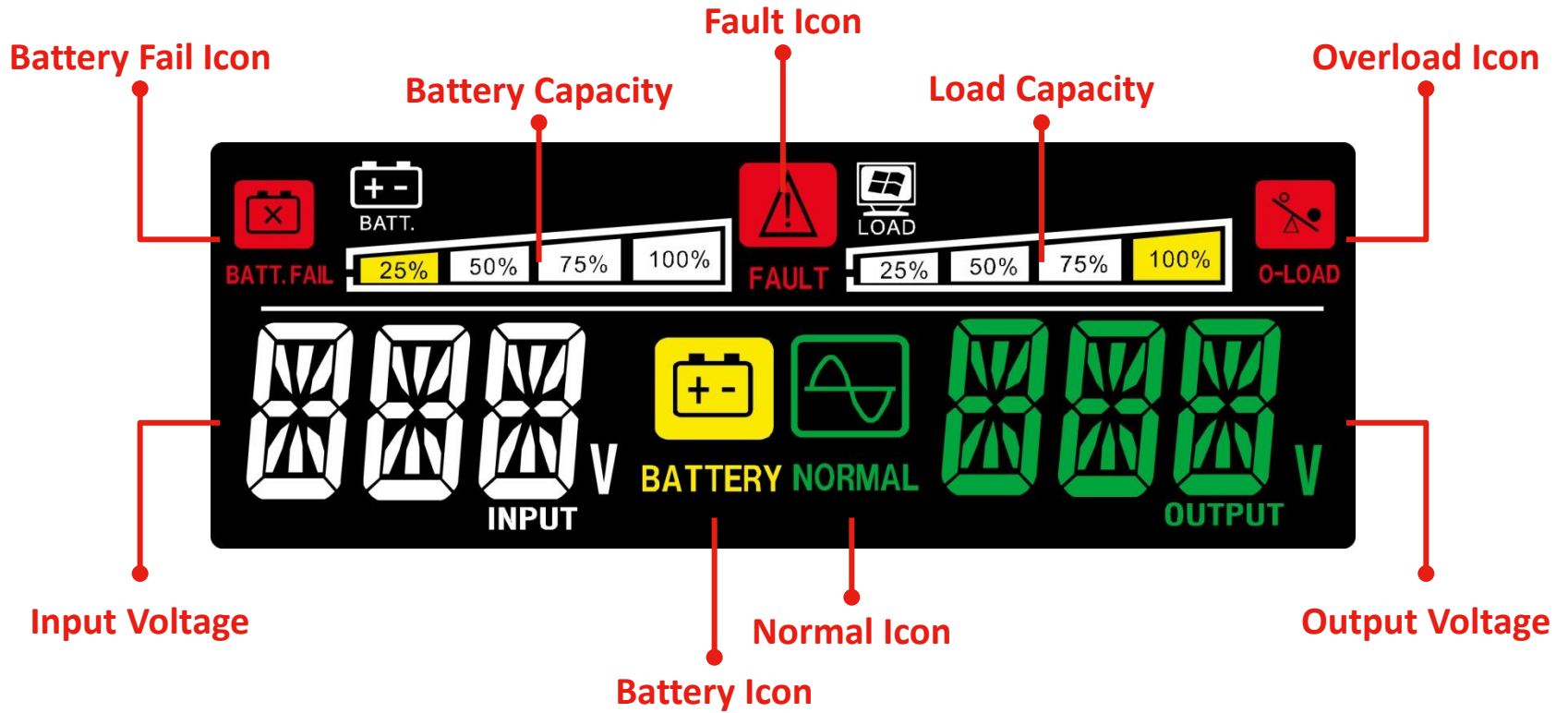


# Structural Diagram

## Rear Panel (US Socket)



# LCD with Color Display





## Features

- UPS will shut down upon battery low ; UPS will restart automatically upon AC recovery (Auto-restart)
- Controlled by a technologically advanced microprocessor guaranteeing high reliability
- USB port and monitor software is designed to manage UPS status via PC (Optional)
- Built-in DC start function enables UPS to be started without AC power supplied
- Equipped with 2-steps boost & 1-step buck AVR to stabilize output voltage
- Constant current, constant voltage battery charger (CCCV Battery Charger)
- UPS will charge itself even though power switch is off (Off mode charging)
- Smart USB charging 5VDC 2.4A max. for smart devices power charging
- Over / under voltage protection (UPS will go to battery mode)
- Lightning / surge protection 175 joules
- Easy replacement battery design

# Specifications

CAPACITY	600VA/360W	800VA/480W	1000VA/600W	1200VA/720W	1500VA/900W	2000VA/1200W
INPUT						
Voltage	110/115/120Vac					
Voltage Range	-30%, +25%					
Frequency	50Hz or 60Hz (Auto-sensing)					
OUTPUT						
Voltage Regulation	+/-10%					
Frequency	AC mode: 47-53Hz for 50Hz or 57-63Hz for 60Hz ; Battery mode: 50Hz or 60Hz +/-1Hz					
Waveform	Simulated Sinewave					
Transfer Time	<6ms (Typical)					
Outlet: Nema5-15R	4pcs Backup/AVR/Surge protected + 4pcs Surge protected only		5pcs Backup/AVR/Surge protected + 5pcs Surge protected only			
Smart USB Charging	2 ports, 5VDC 2.4A max.					
BATTERY						
Type	Maintenance free sealed lead-acid battery					
Voltage	12VDC		24VDC			
Capacity & Number	12V/7AH*1pc	12V/9AH*1pc	12V/7AH*2pcs	12V/7AH*2pcs	12V/9AH*2pcs	12V/9AH*2pcs

\*Product specifications are subject to change without further notice.

# Specifications

CAPACITY	600VA/360W	800VA/480W	1000VA/600W	1200VA/720W	1500VA/900W	2000VA/1200W
Recharge Time	5 hours to 90% after complete discharge					
Safety Protection	Over Charge & Over Discharge Protection					
Advanced Battery Management	Yes					
INDICATORS						
LED Model	AC normal(Green), Backup(Yellow), UPS Cut-off(Red)					
LCD Model	Programmed LCD					
Alarm	Buzzer ON for battery mode, low battery, overload, fault					
MANAGEMENT						
USB Communication Port	Plus5E-S / Plus5L-S series: N/A					
	Plus5E-US / Plus5L-US series: Yes, and download software is included					
ENVIRONMENT						
Operating Temperature	0°C-40°C (32°F-104°F)					
Humidity	0-95% (Non-condensing)					
Acoustic Noise	<40dB at 1M					
PHYSICAL(D*W*H)						
Dimension	315.5*100*141mm		343*135*208mm			

\*Product specifications are subject to change without further notice.

## Model Table-LED Model

MODEL NAME	POWER RATING	INDICATORS	USB CHARGING	USB COMMUNICATION PORT
Plus5E-S600	600VA/360W	LED	YES	N/A
Plus5E-US600				YES
Plus5E-S800	800VA/480W			N/A
Plus5E-US800				YES
Plus5E-S1000	1000VA/600W			N/A
Plus5E-US1000				YES
Plus5E-S1200	1200VA/720W			N/A
Plus5E-US1200				YES
Plus5E-S1500	1500VA/900W			N/A
Plus5E-US1500				YES
Plus5E-S2000	2000VA/1200W			N/A
Plus5E-US2000				YES

\*Product specifications are subject to change without further notice.

## Model Table-LCD Model

MODEL NAME	POWER RATING	INDICATORS	USB CHARGING	USB COMMUNICATION PORT
Plus5L-S600	600VA/360W	LCD	YES	N/A
Plus5L-US600				YES
Plus5L-S800	800VA/480W			N/A
Plus5L-US800				YES
Plus5L-S1000	1000VA/600W			N/A
Plus5L-US1000				YES
Plus5L-S1200	1200VA/720W			N/A
Plus5L-US1200				YES
Plus5L-S1500	1500VA/900W			N/A
Plus5L-US1500				YES
Plus5L-S2000	2000VA/1200W			N/A
Plus5L-US2000				YES

\*Product specifications are subject to change without further notice.



**APLUS POWER CORP.**

Aplus, Reliable Power Brand Deserve Your Trust